



Machines

Trench Rollers

Rammax 1575 and 1585

www.ammann-group.com



Rammax 1585 Skid-steering

Rammax 1575 Articulation-steering



Experience

Ammann has with Rammax, the inventor of the trench roller product, more than 40 years of experience with building this type of equipment. Over the years new benchmarks have always been set to improve working with these machines in an economical and ecological way. Today Ammann is able to offer articulated machines as well as skid steered ones. This way you, as our customer, can choose which machine best fits your specific requirements.

Advantages

- Soil replacement can be avoided, this results in high cost reduction
- Highest reliability and operational safety
- Versatile fields of application
- Excellent compaction parameters
- High compaction output
- Maximum operating comfort, in line with the highest safety standards
- Low operating costs
- Easy and quick servicing
- Compact and robust design
- Maintenance free (except diesel engine)

Trench rollers, the so called “multi purpose compactors”, are transferring an enormous compaction output into cohesive soil types, such as clay. These soil types, that are very difficult to compact or show a high moisture content that can only be compacted by using extreme compaction energy and the additional kneading effect of the padfoot drums. However many other types of material can also be compacted in a fast and effective way by these robust machines.



Typical fields of application

- Pipeline construction
- Structure backfill work
- Social and industrial development areas
- Dumpsite and embankment construction
- Sub-base of roads and rail tracks
- Narrow work spaces

Model Overview

Rammax 1575

- Articulation joint with oscillation
- Water cooled 3 Cylinder Yanmar Diesel engine
- Drum width 85 or 64 cm

Rammax 1585

- Skid-steered with powerful centralised vibrator
- Air cooled 2 Cylinder Hatz Diesel engine
- Drum width 85 or 63 cm





Rammax 1585 – compact and powerful

The Rammax 1585 is the strongest walk behind trench roller in the world and stands for perfect compaction results on different types of soil. All Rammax quality - 5 years warranty on the hydraulic drum drives and vibratory bearings of the Rammax 1585.

Trench roller Rammax 1585

The Rammax 1585 is the latest development of the existing skid steer controlled trench rollers. So, today, this machine sets the benchmark regarding compaction results and maneuverability in smallest work space. Large reductions have also been made concerning the noise emissions by using a completely new design of the exhaust system. These enormous noise reductions guarantee a comfortable use for the operator today.

Powerful

- Powerful Hatz Diesel engine for perfect performance on any terrain
- 86 kN compaction force by centralised vibration system
- Planetary gear box in each drum drive for perfect torque and endurance
- Fully hydraulic drive system

Details

- The skid steer design offers turning on the spot
- Driven completely hydrostatically
- Cockpit with electric hour meter, function control and fault diagnostic system for quick servicing
- Automatic ignition shut off for protection of the battery
- Serially equipped with electric starter
- Drum width 63 or 85 cm, easily convertible
- Two hydro-mechanical brakes
- With the remote controlled versions, two completely independent steering systems. Even if the transmitter is lost or damaged, the machine can be operated with the manual levers
- Central lifting hook attached to the main frame helps to reduce stress on the rubber-mounts during loading and unloading
- Changing of direction of the vibration shaft rotation for better gradeability and perfect compaction results on slopes
- Optional with variable Vibration - 2 frequencies and amplitudes (V-Version)



2 drum widths 63 cm or 85 cm



Receiver eye



Central lifting hook



IR transmitter with solar panels



Cable remote with flexible spiral cable



Modern and clearly arranged cockpit with failure diagnostic system and function control

Safety

- Safe operation from distance - in the remote controlled versions (-MI/-MC/-MCI), even without trench boxes
- The visual contact to the operating machine is ensured at any time
- Short and far distance shut off at <2 and >20 m respectively
- No blind spots - the receiver eye for the infrared remote control is placed on the top of the machine
- All machine functions are controllable from the remote control transmitter
- No hand arm vibrations during operation of the machine due to remote controls
- Integrated safety bar to protect the operator during manual operation

Self diagnostic system

- The integrated self diagnostic system allows the operator to locate any errors in a very simple way
- By narrowing down the causes, issues can be resolved in a quick and straightforward manner

Operational safety

- A high level of safety on the jobsite for man and machine is ensured by the established infrared remote control. In comparison to a radio control system, a visual contact to the machine is required. A considerable risk of injury or accidental damage can be completely avoided.
- Solar panels in the infrared remote control ensure a permanent readiness for operation. Only regular day light is required for the automatic charging system. Even work in complete darkness is possible due to the integrated battery, which is also charged by the solar panels. Downtimes due to the searching for and charging of the batteries on the mains can be completely avoided.
- Without interfering with each other, up to 10 machines can be operated at the same time on one jobsite thanks to 10 infrared frequencies on the receiver and the remote control.

Versions

Rammax 1585-M Manual control
Rammax 1585-MC Manual and cable remote control

Rammax 1585-MI Manual and IR remote control
Rammax 1585-MCI Manual, cable and IR remote control

All versions with drum width 85 or 63 cm

RAMMAX 1585

Rammax 1585 – Advantages at a glance

Accessibility

Large engine cover allows safe and easy access to service points

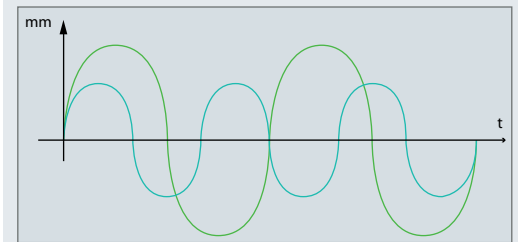
Vandalism protection

Lockable cover for controls

Transport

Central lifting hook

V-Version: Variable frequency and amplitude
By switching between two compaction settings the machine can be adapted to different soil types and layer thicknesses.



	Cohesive soil	Mixed soil
Frequency	30 Hz	42 Hz
Amplitude	2,4 mm	1,4 mm
Compaction force	86 kN	54 kN



Drive system

All 4 drive motors with planetary gear reduction box
• With 5 Years warranty

Vibration

Centralized vibration system
• With 5 Years warranty

Safety

- Foldable safety bar with transport position
- Hydromechanical brakes – safe parking and transport



Rammax 1575 and 1585





Rammax 1575 – Flexible and powerful

New to the trench roller range is the Rammax 1575 with both articulation and oscillation. It sets new standards regarding noise emissions and most of all fuel consumption. With the oscillation function the machine adapts to the surface and therefore allows optimised compaction results and stable running.

Perfect traction and compaction

Four powerful hydraulic motors and two hydraulic steering cylinders guarantee dynamic drive performance and perfect mobility, even in small spaces.

The fully automatic engine control system reduces the rpm to idle during standstill. With the first operation the engine rises within a split second back to working speed. This substantially helps to reduce the Diesel consumption and noise emissions.

Articulation joint with oscillation

- Permanent ground contact of all four drums for perfect traction and compaction
- Maintenance free articulation joint
- Applicable on various materials and soils
- High stability against tipping over due to oscillation joint
- Optimised position of center of gravity, also during articulating



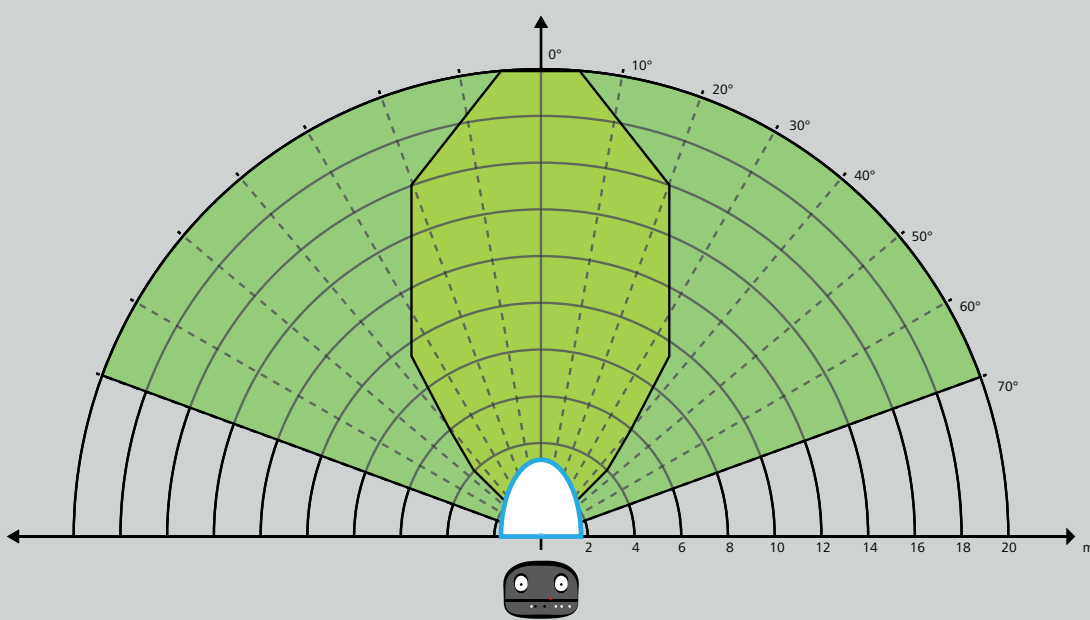
Lockable cockpit with clearly arranged control elements



Central lifting hook for easy and fast movement of the machine. Big tie-downs for securing the machine during transport



Maintenance-free articulation joint with oscillation for perfect ground contact



The wide working-field up to 20 m and angle of 70° assure a optimal comfort and safety

IR-Reception

- Perfect position of the IR receivers
- No dead spots – constant connection
- Hood shapes designed for smooth reception
- Dust and contact protected position
- Due to protection against interruption, also passes under structures such as trench boxes without stopping of the machine. The IR control system of the Rammax 1575 has been optimised for both operator comfort and functionality



Infrared remote control

- A high level of safety on the jobsite ,for man and machine, is ensured by the established infrared remote control. In comparison to a radio control system the visual contact to the machine is required. A considerable risk of injury or accidental damage can be completely avoided.
- Solar panels in the infrared remote control ensure a permanent readiness for operation. Only regular day light is required for the automatic charging system. Even work in complete darkness is possible due to the integrated battery, which is also charged by the solar panels. Downtimes due to the searching for and charging of the batteries on the mains can be completely avoided.
- The transmitter can be connected to any other 1575 and then only controls one specific unit. Due to this an unlimited number of machines can be used on one jobsite without interfering the individual signals (Rammax 1575).



Infrared remote control with solar panels – No charging on the mains. Automatic charging during work



Additional cable connection as standard



Optional safety bar with simple transport lock

RAMMAX 1575

Rammax 1575 – Advantages at a glance

Infrared System

- Perfectly positioned
- No dead angles

Solar system

- IR transmitter charges by solar panels
- No charging on the mains necessary

Access

- Simple serviceability due to wide opening hoods

Engine

Powerful, quiet and fuel efficient



Vibration

- Effective circular vibrator
- Low center of gravity

2 Steering cylinders

Powerful and fast articulation with full precision

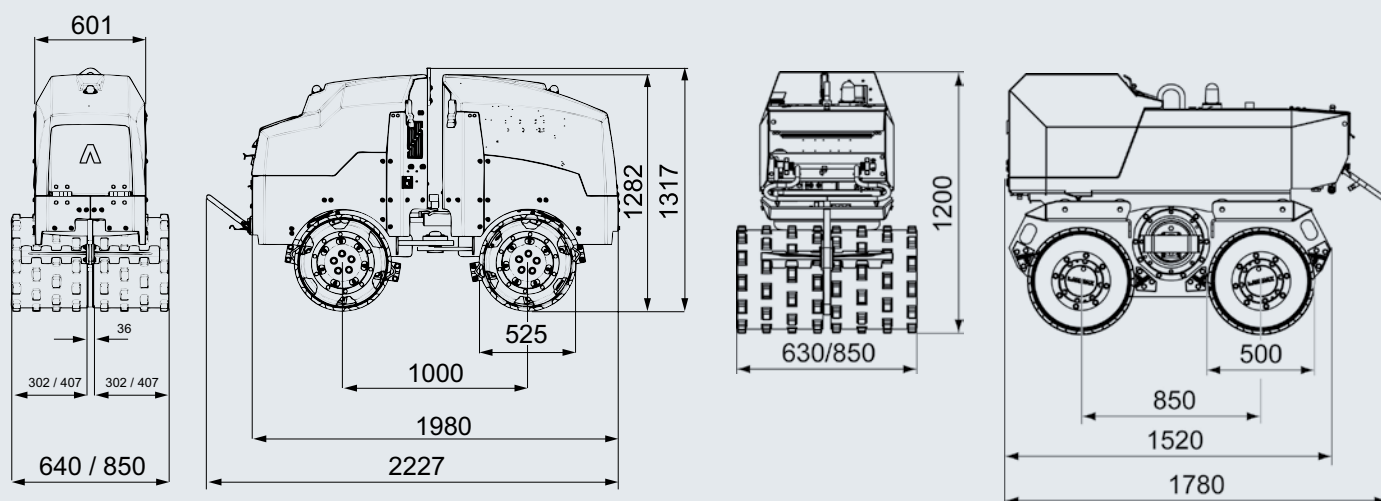
Articulation joint with oscillation

- Maintenance free
- Perfect ground contact and compaction results
- Low tendency to tip over



Technical Data

Trench Roller		Rammax 1575		Rammax 1585	
Working width	mm	640	850	630	850
Weight					
Operation weight	kg	1400	1450	1410	1480
Static line load	kg/cm	11.2	8.7	11.2	8.8
Dynamic line load	kg/cm	60	44	68	51
Engine					
Motor / Typ		Yanmar		Hatz 2 G 40	
Power	kW/PS	15.1 / 20.4		13.4 / 18.5	
At rpm		2400		2600	
No of dylinders		3 / water cooling		2 / air cooling	
Drive system		hydrostatic		hydrostatic	
Vibration system					
Centrifugal force	kN	75 / 38		86	
Amplitude	mm	1.1 / 0.6		2.4	
Frequency	Hz	41		30	
Drive system		hydrostatic		hydrostatic	
Filling capacities					
Fuel	l	28		22	
Hydraulic oil	l	16		60	
Driving qualities					
Steering		articulation oscillante / 7°		chassis rigide / 7°	
Working speed	m/min	0-20		0-16	
Travel speed	m/min	0-45		0-35	
Gradeability w/w/o vibration	%	40 / 50		45 / 55	
Turning diameter	m	3.0	2.8	0	



Australia: Ammann Australia Pty. Ltd. | Narangba 4504

Austria: Ammann Austria GmbH | 4114 Neuhaus

Brazil: Ammann do Brasil | CEP: 94180-452 Gravataí/RS

Bulgaria: Ammann Bulgaria | 1700 Sofia

China: Ammann Construction Machinery Shanghai Co. Ltd. | Shanghai 201700

Czech Republic: Ammann Czech Republic a.s. | 54901 Nové Město nad Metují

Ammann Asphalt GmbH | 60200 Brno

France: Ammann France SAS | 94046 Créteil/Cedex

Germany: Ammann Asphalt GmbH | 31061 Alfeld (Leine)

Ammann Verdichtung GmbH | 53773 Hennef

Ammann Elba Beton GmbH | 76275 Ettlingen

India: Ammann Apollo India Private Ltd. | Ahmedabad 380 009

Indonesia: Ammann South East Asia | Jakarta 11530

Italy: Ammann Italy S.p.A. | 37012 Bussolengo

Kazakhstan: Ammann Kazakhstan LLP | Almaty 050051

Netherlands: Ammann Benelux BV | 6000 AB Weert

Poland: Ammann Polska sp.z.o.o. | 02-230 Warszawa

Romania: Ammann Group Romania S.R.L. | 060233 Bucharest

Russia: Ammann Russia o.o.o. | 127 473 Moscow

Singapore: Ammann Singapore Pte. Ltd. | 307591 Singapore

Spain: Ammann Iberia S L | Madrid

South Africa: Ammann Construction Machinery South Africa | Benoni 1500

Sweden: Ammann Scandinavia | 211 20 Malmö

Switzerland: Ammann Switzerland Ltd. | 4901 Langenthal

Avesco AG | 4901 Langenthal

Turkey: Ammann Teknomak A.S. | Ankara 06370

Ukraine: OOO Ammann Ukraine | 03150 Kiev

United Arab Emirates: Ammann NME FZE | Dubai

United Kingdom: Ammann UK Ltd. | Warwickshire CV37 0TY

USA: Ammann America Inc. | Ponte Vedra | Florida 32082

Detailed information can be found at: www.ammann-group.com

